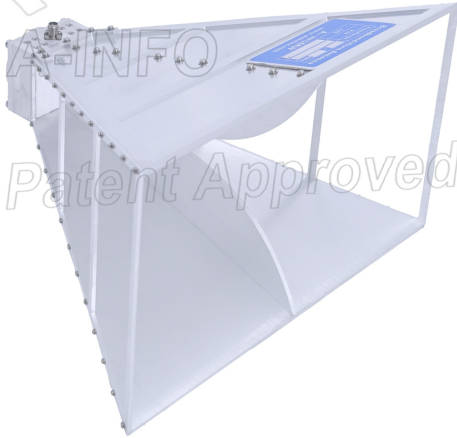


For reference only. See data sheet for the detailed specifications.

## Technical Specification



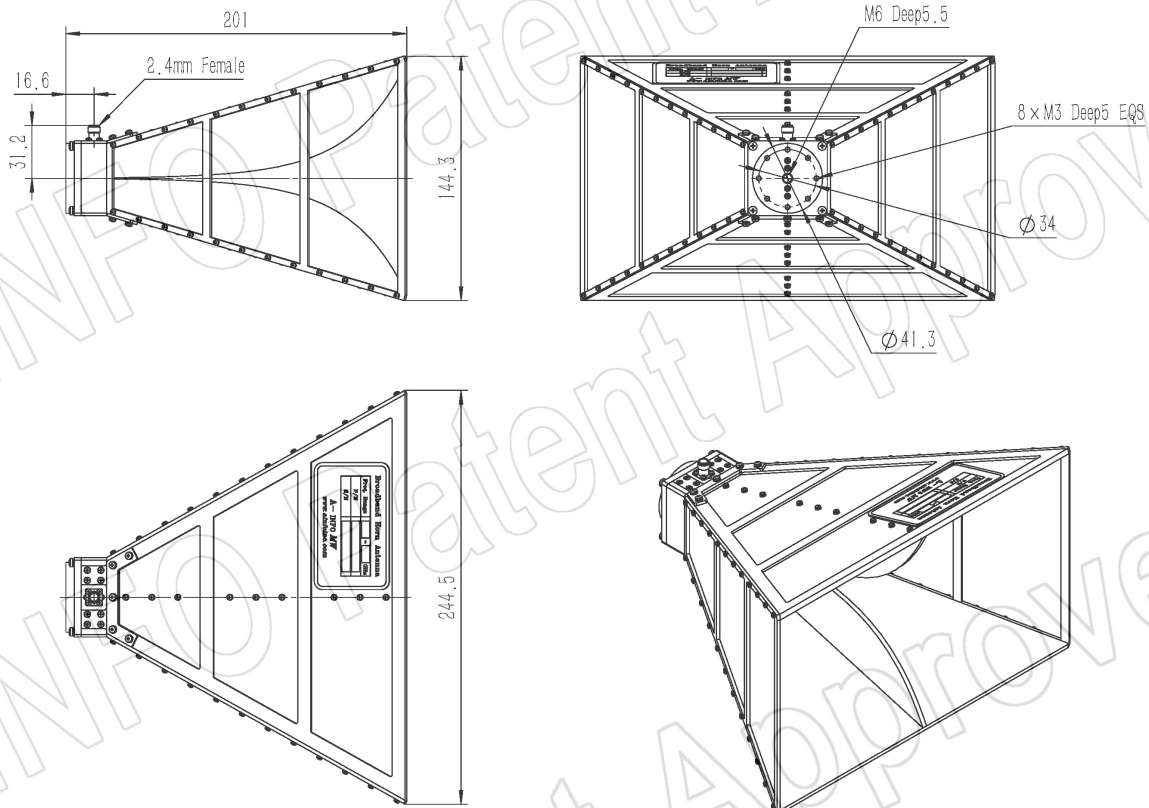
Frequency Range(GHz)	0.8 – 50.0
Gain(dBi)	12 Typ.
Polarization	Linear
3dB Beamwidth(deg)	E Plane: 102 – 18
	H Plane: 90 – 17
Cross Pol. Isolation(dB)	25 Typ.
VSWR	1.50:1 Typ.
Connector	2.4mm-Female
Power Handling(W CW)	10 Max.
Material	Al
Finish	Chemical Conversion Coating
Size(mm)	244.5 x 144.3 x 201
Net Weight(Kg)	0.61 Around

PATENT ID (China)

ZL202121732730.2, ZL202130483999.0

## Outline Drawing (Size: mm)

2.4mm-Female Output (P/N: LB-8500-2.4F)



AINFO Inc.

Page 1 of 21

China(Beijing):  
China(Chengdu):  
USA :

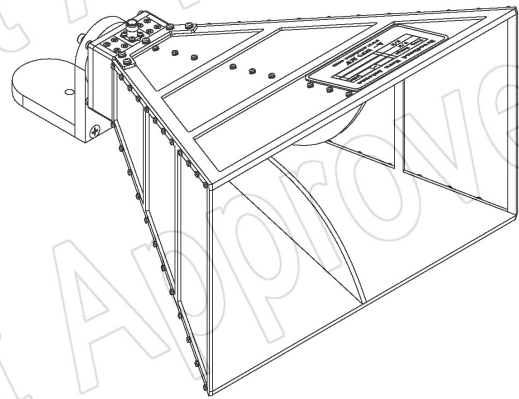
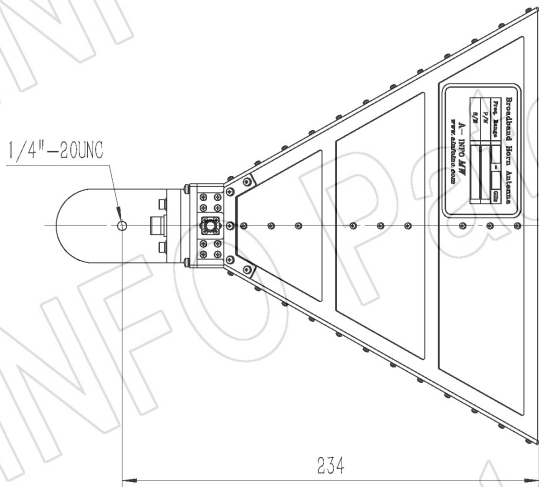
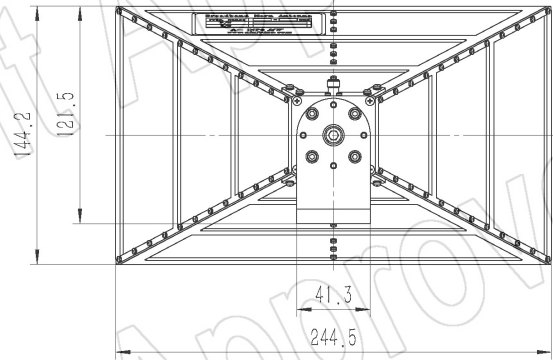
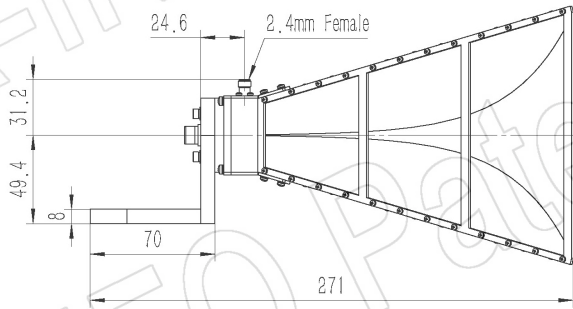
Tel: (+86) 10-6266-7326,  
Tel: (+86) 28-8519-2786,  
Tel: (+1) 949-639-9688,

(+86) 10-6266-7327  
(+86) 28-8519-3044  
(+1) 949-639-9608

Fax: (+86) 10-6266-7379  
Fax: (+86) 28-8519-3068  
Fax: (+1) 949-639-9670

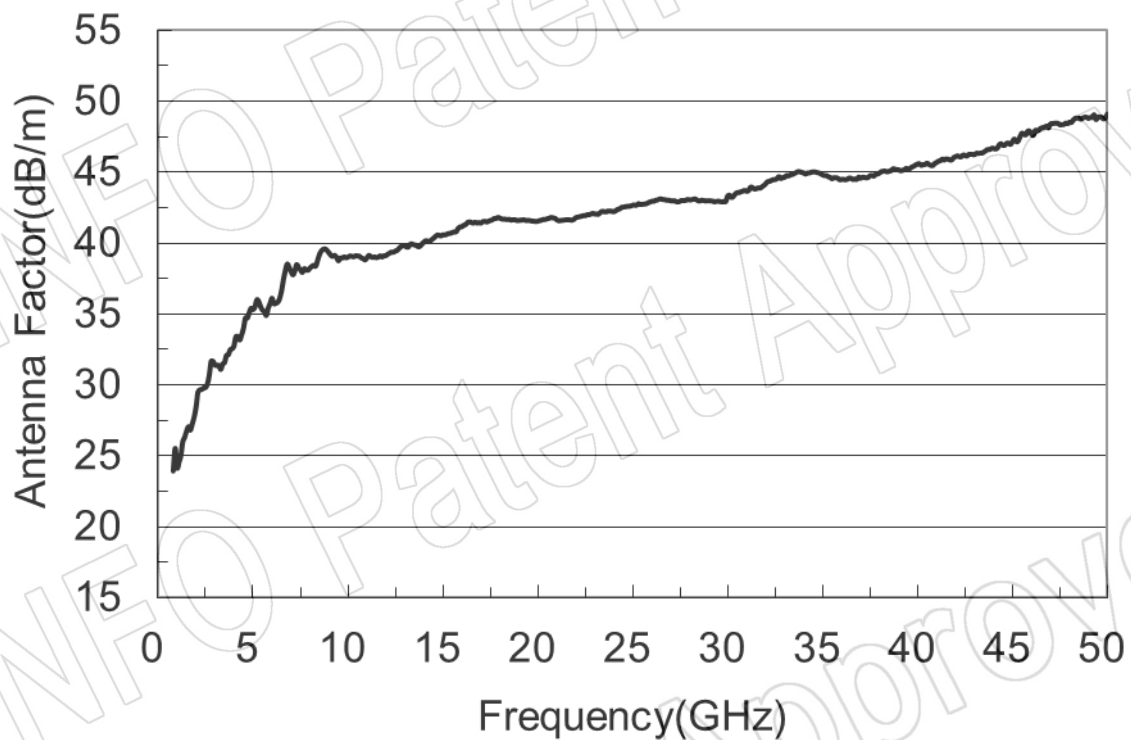
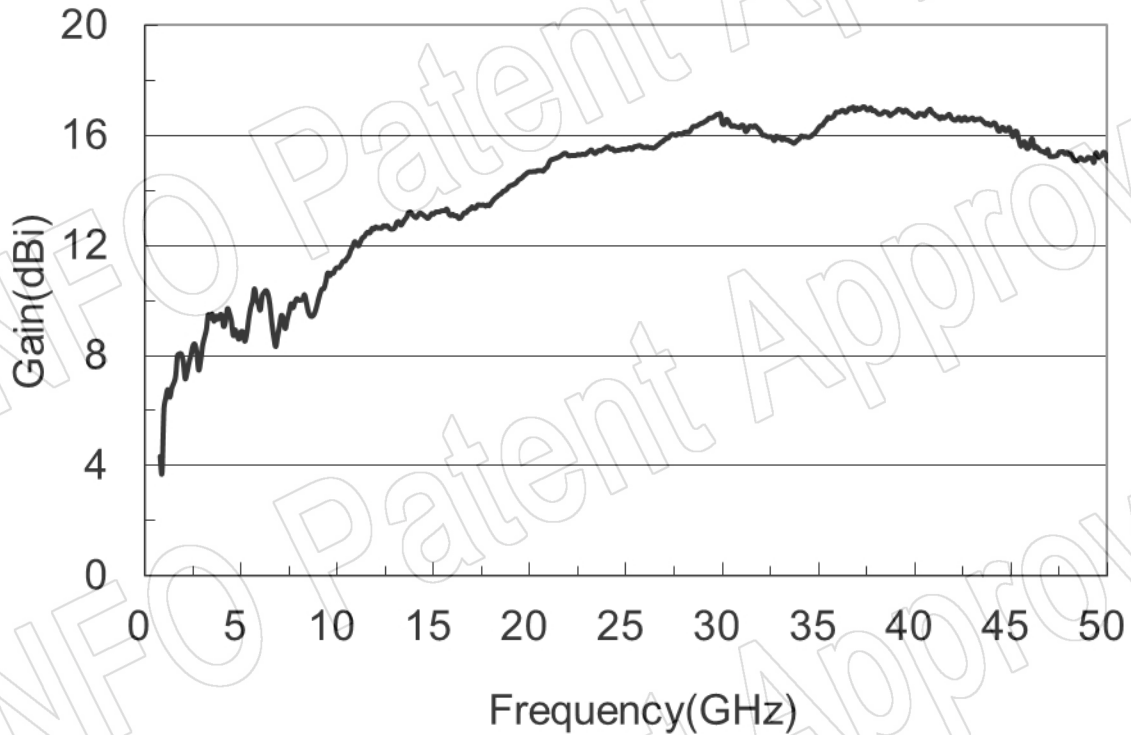
Website: [www.ainfoinc.com](http://www.ainfoinc.com)  
Email: [sales@ainfoinc.com](mailto:sales@ainfoinc.com)

2.4mm-Female Output with L Type Mounting Bracket (Option, P/N: LB-20180-L)

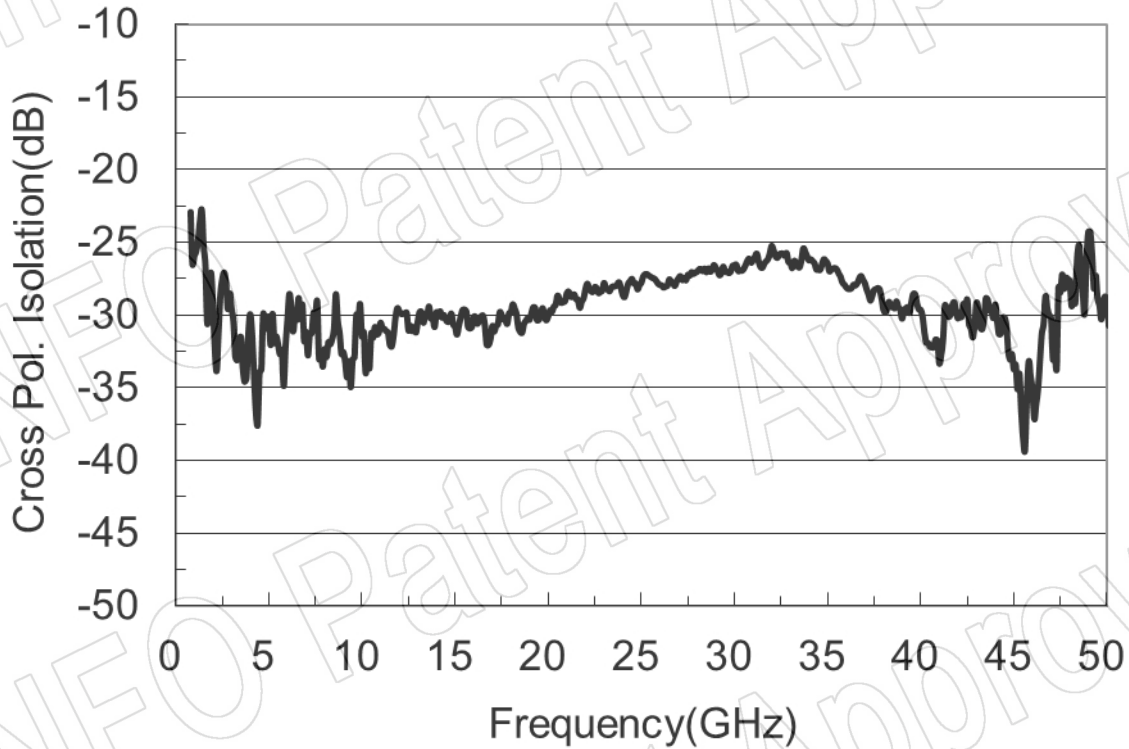


## Test Results

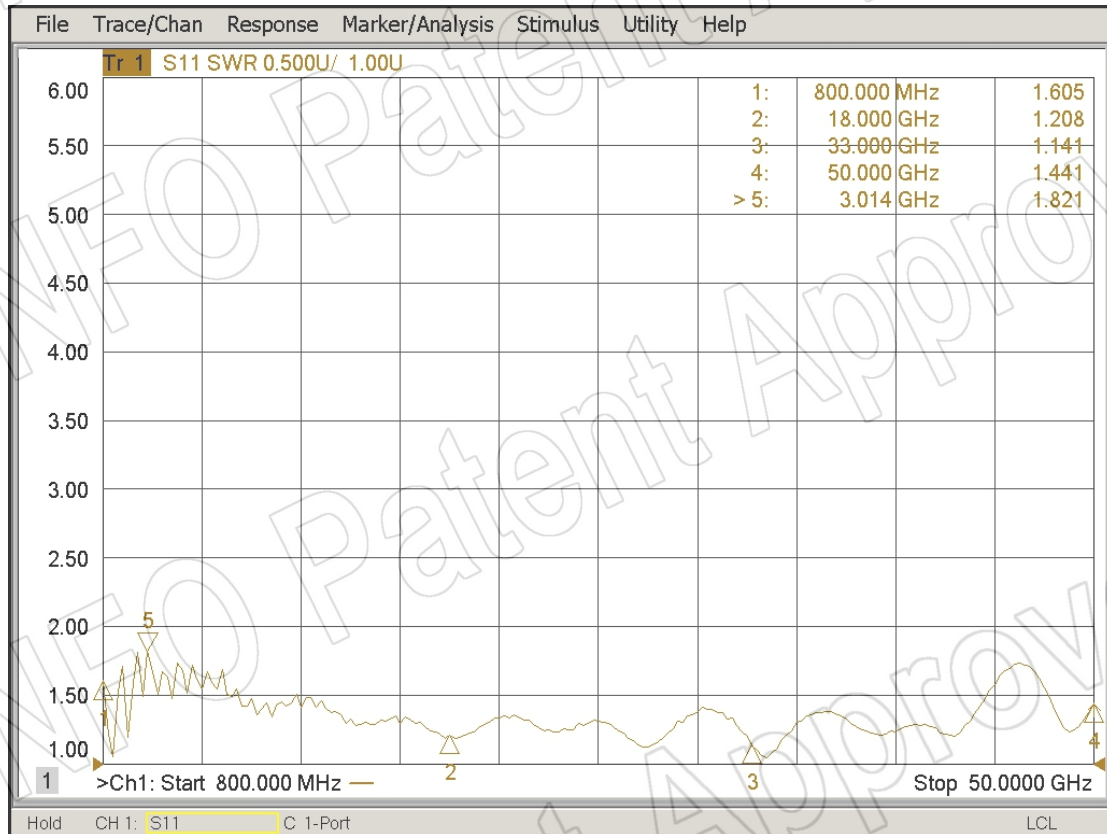
### 1. Gain & Antenna Factor



## 2. Cross Polarization Isolation



## 3. VSWR





## 4. Pattern

